

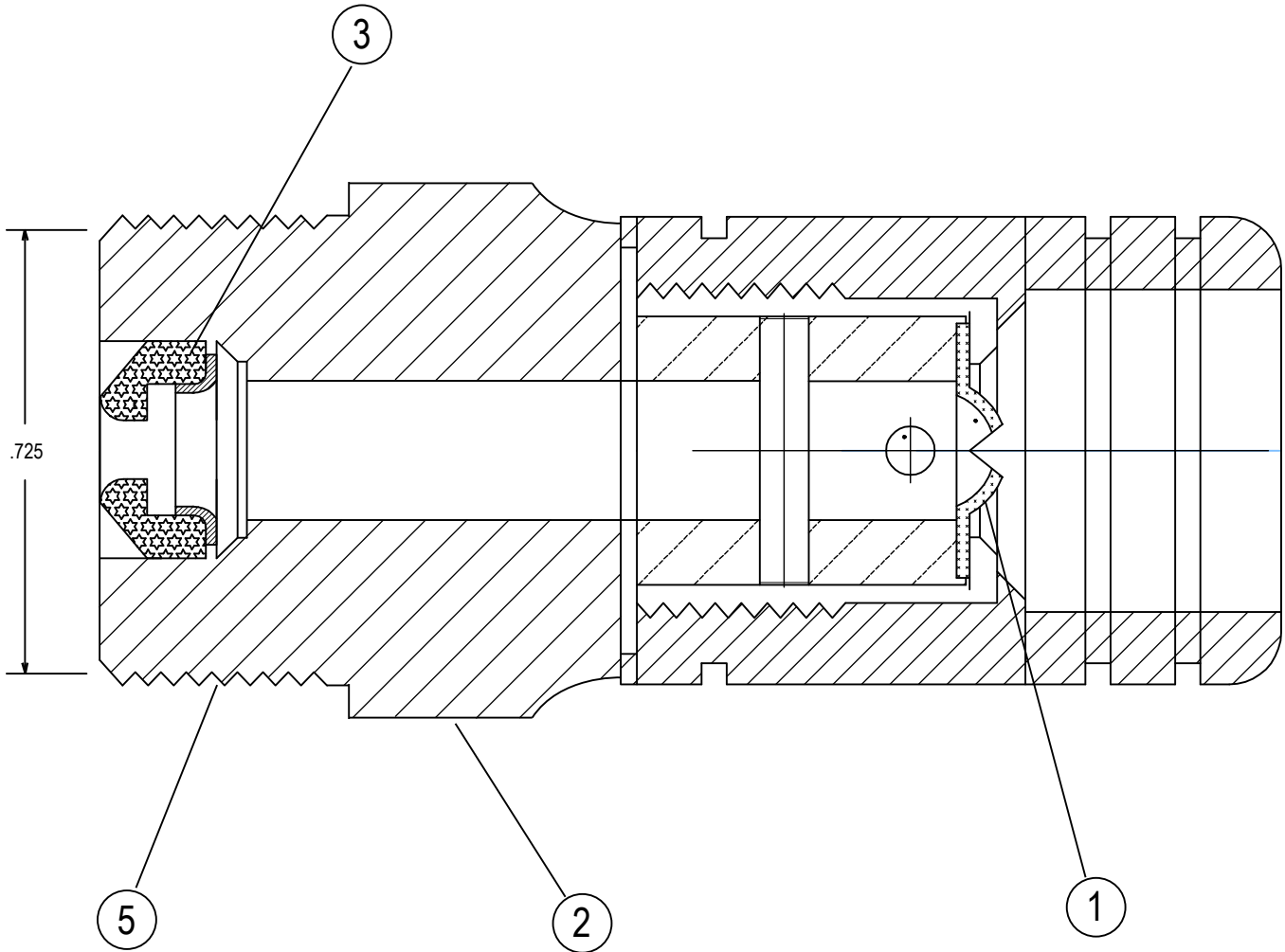
JOB NAME

ITEM NO.

SUBMITTED AS SHOWN

SUBMITTED AS NOTED

SEE ATTACHED FOR SUBMITTED MODIFICATION



DIMENSIONS IN INCHES

TECHNICAL DATA

SPECIFICATION MANUAL

- ① FCS™ Patented Nozzle
- ② 7/8" Hex Rounded Corners
- ③ 1.5 gpm Accu-Flo™ Pressure Regulator

- ④ 1.5gpm @ 30 - 80psi
- ⑤ Threads: 1/2" NPT