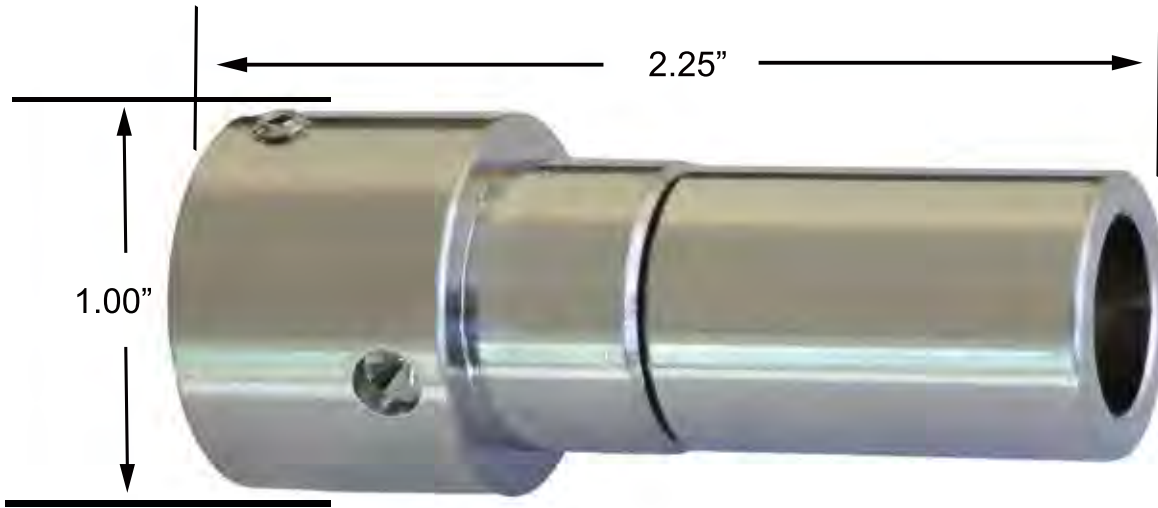


JOB NAME	ITEM NO.
----------	----------

SUBMITTED AS SHOWN	
SUBMITTED AS NOTED	



DIMENSIONS IN INCHES

Specifications	SPECIFICATION MANUAL
<ul style="list-style-type: none"> ① FCS™ Patented Stainless Steel Non-Clogging Nozzle ② Max Flow Rate 1.8 gpm from 30-80 psi ③ Threads: 1/2"-14 NPS Female ④ All Metal Construction; Brass and Stainless Steel; Chrome Plated ⑤ For use with Shower Fixtures Requiring 1/2" NPS Female Threads ⑥ Maximum Vandal Resistant: Non-Swivel, round body w/out knurl, cone-pointed set screws ⑦ Set Screws: 1/16" Hex Stainless Steel ⑧ Certifications: A112.18.1 and WaterSense 	