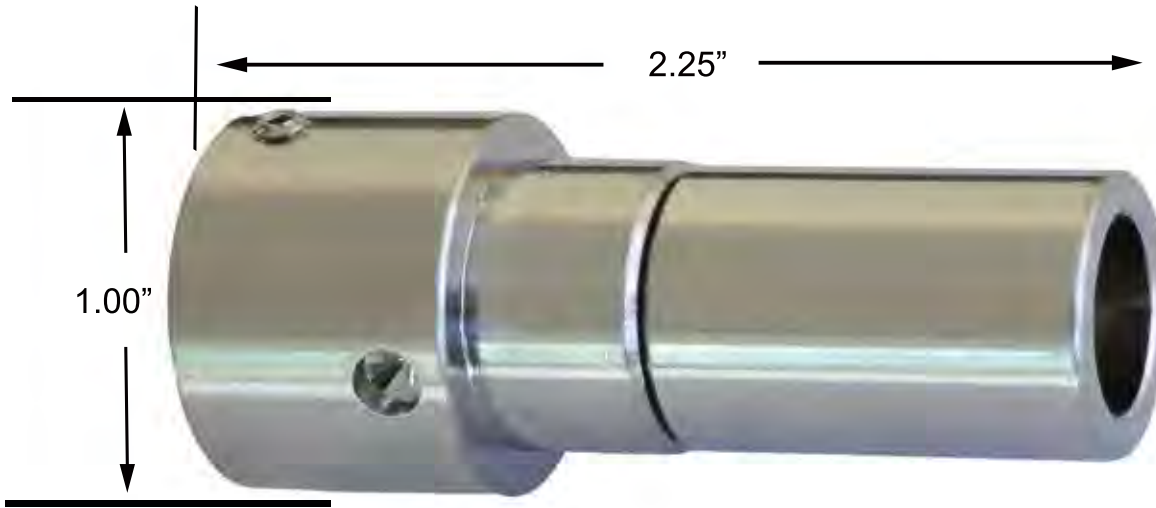


| | |
|----------|----------|
| JOB NAME | ITEM NO. |
|----------|----------|

| | |
|--------------------|--|
| SUBMITTED AS SHOWN | |
| SUBMITTED AS NOTED | |



DIMENSIONS IN INCHES

| | |
|--|----------------------|
| Specifications | SPECIFICATION MANUAL |
| <ul style="list-style-type: none"> ① FCS™ Patented Stainless Steel Non-Clogging Nozzle ② Max Flow Rate 1.5 gpm from 30-80 psi ③ Threads: 1/2"-14 NPS Female ④ All Metal Construction; Brass and Stainless Steel; Chrome Plated ⑤ For use with Shower Fixtures Requiring 1/2" NPS Female Threads ⑥ Maximum Vandal Resistant: Non-Swivel, round body w/out knurl, cone-pointed set screws ⑦ Set Screws: 1/16" Hex Stainless Steel ⑧ Installation: Use 3/16" Spanner Wrench | |